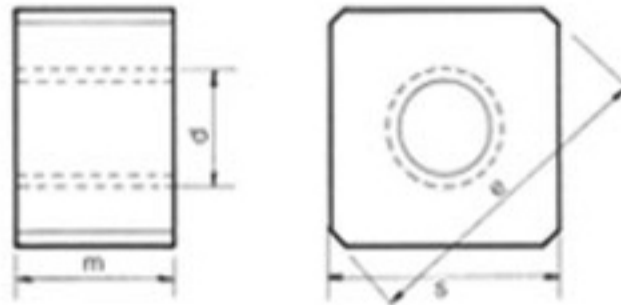


DIN - 798

TUERCAS DE ANCLAJE



d	s	e	m	weights in kg per % p.	packaging.
M24	50	65	30	495	
M30	60	80	38	980	
M36	70	92	45	1550	
M42	80	105	53	2350	
M48	90	118	60	3320	
M56	100	132	70	4250	
M64	110	145	80	5600	
M72x6	120	160	90	7400	
M80x6	130	170	100	9500	
M90x6	145	190	112	13800	
M100x6	165	220	125	19400	